

Hydraulic Hand Pallet Trucks are ideal for material movement over short distances, suitable to move around in shop floors, in ware houses and vehicles like lorry etc. The pallet truck is constructed with heavy gauge steel to provide strength and durability. The hand pallet forks are reinforced for added strength of load capacity. The steering is easy to maneuver with 185 degrees turning radius. Ergonomic large rubber handle ensures a comfortable hold and easy operation. Lever comes in three positions, to lower, neutral and raising position. Speed lowering valve is provided to adjust the descent speed freely. One piece weld pump with reliable oil-proof hydraulic systems and high pressure relief valve to prevent overload. Effortless pallet entry/exit rollers to make it easier to push and pull pallet truck. Special size fork length shall be made according to specific customer requirement.

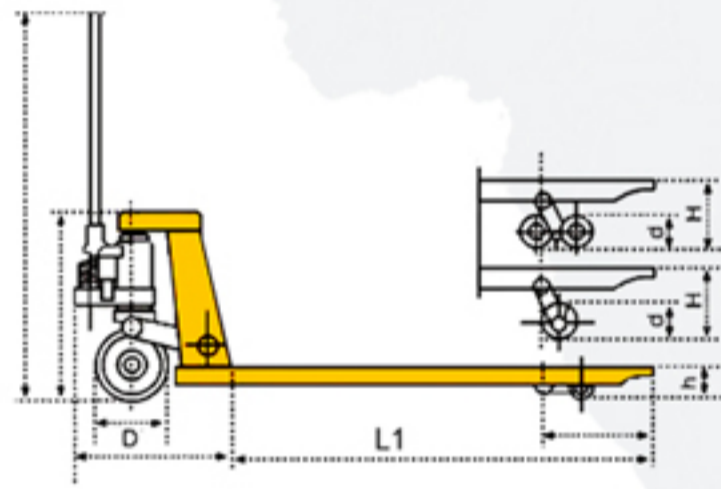


- Ideal for retail floors.
- Built to reduce ambient noise.
- Built to reduce floor markings.
- Durable if debris is avoided.
- May be damaged by rough floor types.



- Ideal for rough, wet, and cold floors.
- Resistant to puncture from debris.
- Resistant to chemicals.
- Durable when moving over dock boards.
- May be louder than other wheel types.

Model		DB168	DB20		DF25		DF30			
Lifting Capacity	kg	1680	2000		2500		3000			
Lowered Fork Height	h	75	85	75	85	75	85	75		
Max Height of fork	H	190	195	185	200	190	200	190		
Lifting Height	mm	115	110	110	115	115	115	115		
Length of Forks	L1	mm	800/900/1070/1100/1150/1220		800/900/1070/1100/1150/1220		800/900/1070/1100/1150/1220			
Width of Forks	b	mm	150x50		160x60		160x60			
Load Wheel	Single	d	mm	Ø70x80	Ø80x93	Ø70x80	Ø80x93	Ø74x93	Ø80x93	Ø74x93
	Double	d	mm	Ø70x55	Ø80x70	Ø70x60	Ø80x70	Ø74x70	Ø80x70	Ø74x70
Steer Wheel	D	mm	Ø160x50	Ø160x50	Ø160x50	Ø200x50	Ø180x50	Ø200x50	Ø180x50	
Overall Dimensions	Length	mm	1460	1180/1280/1450/1480/1530/1600		1180/1280/1450/1480/1530/1600		1180/1280/1450/1480/1530/1600		
	Width	mm	550/685	450/520/550/685		450/520/550/685		450/520/550/685		
	Height	mm	1160	1160		1198		1230		
Self Weight	kg	51/55	69-78		72-85		75-90			



SINOLIFT Manual Hand Pallet Trucks

DURABLE, VERSATILE, OPERATOR FRIENDLY MANUAL HAND PALLET TRUCKS

The SINOLIFT® DB & DF manually operated hand pallet trucks are durable, versatile and easy to use. They feature an ergonomic design that may reduce operator fatigue and downtime. The DB & DF provides exceptional maneuverability in compact areas and the standard polyurethane wheels and rollers provide outstanding rolling ease.

Dependability

- 2 Year warranty on hydraulic unit and frame.
- Heavy duty 3.3mm/1.25" thickness steel adjustable push rods.
- 52mm/2.1" thick steel c-channel.
- 230mm/9" handle base.
- Powder-coat paint finish.
- Poly/steel steer wheel.

Serviceability

- Rebuildable pump.
- Handle bolt designed for easy assembly and removal.
- Handle-return spring guard.
- Grease and oil fittings at all castings and pivot points.

Functionality

- Cushioned handle providing operator comfort.
- 10 full strokes to reach maximum lift.
- Grooved lever plate and fool release pedal for quick and convenient lowering option.
- Articulating axle keeps load stable and acts as a shock absorber.
- Entry rollers prevent "pushing" the pallet upon entry.
- Exit rollers prevent "pulling" the pallet when exiting.

Options

- Nylon load wheels.
- Stainless steel and galvanized trucks available.
- Various fork lengths and widths.
- Backrests.
- Quick-lift pump units.
- Parking brake.
- Single load wheels.

Specifications and design are subject to change without prior notice, for further information, please contact with our sales office or dealer

SINOLIFT
For material handling

DB DF Series
ECONOMIC HAND PALLET TRUCK
ISO9001
CE



Easy Lift, Easy Life!

1680/2000/2500/3000KG LOAD CAPACITY
3700/4400/5500/6600LBS LOAD CAPACITY

READY FOR THE LONG HAUL

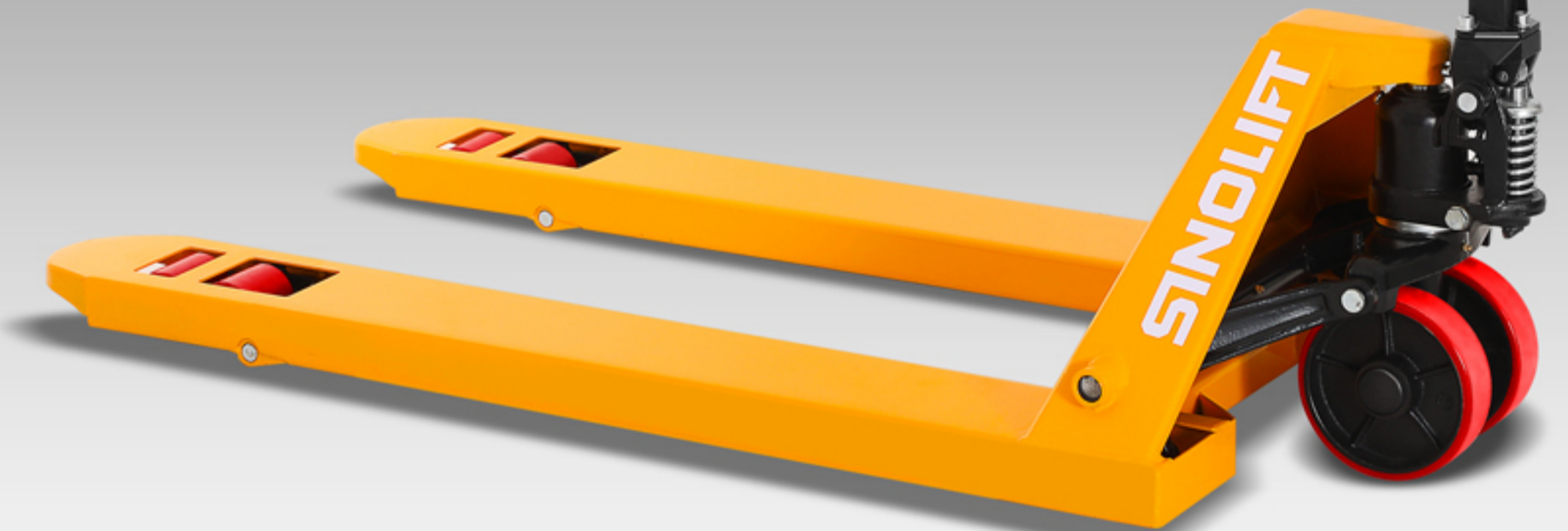
SINOLIFT® hand pallet trucks are built tough, while maintaining operator comfort throughout the shift. High-quality construction and a cost-effective design combine for greater uptime and a lower overall cost of ownership.

Features

- Reinforced Ergonomic Handle.
- Polyurethane Steer Wheels.
- Polyurethane Load Rollers.
- Entry/Exit Roller System.
- 13 Grease Zerk at the Pivot Points.
- Adjustable Push Rods.

Warranty

- 3 years on pump-full pump replacement.
- 12 months on all other parts.



SHANGHAI SINOLIFT EQUIPMENT CO., LTD.

ADDRESS: No. 2471 Dachuan Road, Nanhui Industry Park, Pudong New District, Shanghai, 201399, P.R. China

Tel: 0086-21-68014500 or 0086-21-58003681

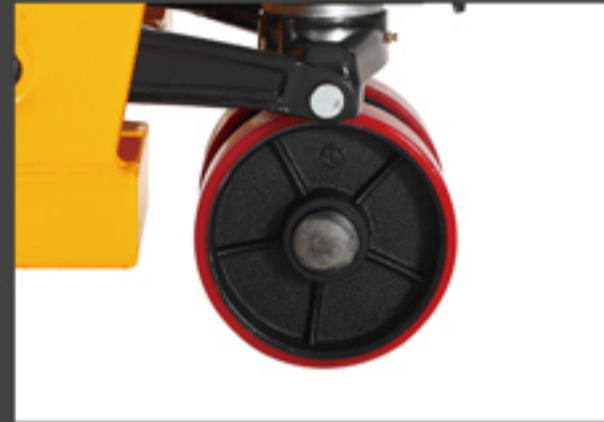
Fax: 0086-21-68014262

Website: www.sinolift.com www.sinoliftchina.com

Skype: sinolift

Whatsapp & Mobile: 0086 138 1757 2420





Polyurethane on steel core load and steer wheels.



Teardrop handle with 3-way position lever for load control.



Hydraulic pump with over-load bypass valve.



Durable powder coat paint finish.

PRODUCTIVITY

The forks have solid nylon fork tip entry rollers that ease the transition over the bottom pallet boards, helping you to get more work done.

DURABILITY

The adjustable tubular push rods and self-lubricating bushings at all pivot points help improve warehouse efficiency and minimize wear and tear.

ERGONOMICS

Comfort never worked so hard, The teardrop handle with the 3-way position lever provides comfortable and precise load control for the operator. And the handle return spring automatically restores the handle to its vertical position.

FLEXIBILITY

Every operation runs differently. That's why the SINOLIFT is designed to adapt to a wide range of warehouse operations and is available in a variety of configurations.

Hydraulic Hand Pallet Truck

An ideal choice for budget conscious customer who require a reliable hand pallet truck.



Finger formed grip made of high quality Rubber, features a light and smooth lever with a three positions: Lift-Driving-Lowering.

Strengthened control handle base prevents fracture. Spring-loaded to automatically return to upright position.

Weld steel plate construction Durable dual-seating ball bearings, maintenance free.

High-pressure piston with mechanical protection against damage. Pressure relief valve for finely metered lowering speed.

Round Fork Tips prevent damage to pallets.

Dual entry rollers allow easy entry into bottom boarded pallets.

Steer wheel load rollers are polyurethane on a steel core for extra durability. Load rollers are solid polyurethane.



	<p>Ergonomic handle ensures the user a relaxed hold and operation.</p>		<p>Effortless pallet entry/exit rollers to make it easier to push and pull pallet truck.</p>
	<p>11-gauge steel forks with powder-coat paint finish, Tapered ends provide smooth entry into pallets.</p>		<p>The oil pump body is made of welding the prefabricated parts together first, And then machining the welded body.</p>
	<p>Reinforced for added strength of load capacity.</p>		<p>All pivot points are greased ensuring excellent maneuverability with effortless steering.</p>
	<p>All back forks have strengthening units to ensure durability of the truck.</p>		<p>Top quality Japanese origin seal kit makes the hydraulic system virtually maintenance free and long lasting.</p>